

Denon D-M38DAB

**Stuff
TEST
WINNER**

 £330 | www.denon.co.uk

If you have an iPod and a taste for quality sonics, this Denon micro could be your ideal system. Its high-grade digital-to-analogue converters will take the raw data from your iPhone or iPod and do a much better job of turning those numbers into waveforms. Plug the same player into the analogue input and you'll hear for yourself.

Although it looks virtually identical to the D-M37DAB it

replaces (in fact, the speakers are identical), Denon has made some big strides with the D-M38. Music sounds hard-hitting, dynamic and precise, with good bass control and clean treble. That's equally true when using the FM, DAB, or DAB+ radio or the CD drive. Regardless of how it's fed, the D-M38 organises and focuses music confidently.

In this company the Denon isn't the most eye-catching design, but

the focus here is on sound, and if that's your priority you won't be disappointed. Those speakers are a great match, but the main system can also be bought on its own for around £250 if you think you can do better.

With no recording abilities, no iPod cradle and no sci-fi stylings, it may not turn your head like its rivals, but ultimately the Denon hits the spot where it really matters.

STUFF SAYS

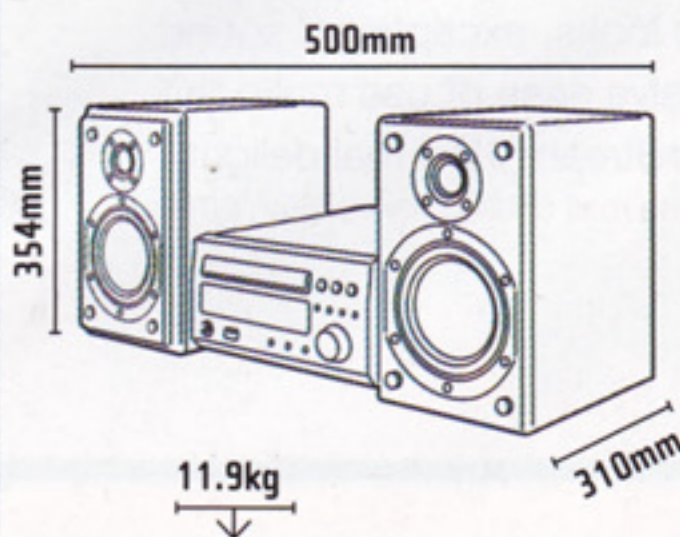
The opposite of cosmetic surgery: the same old outside, but new and improved inside

★★★★★

The remote is tricky to get your head around at first, but soon becomes logical enough. It's admirably unfussy, only needing to be waved vaguely in the direction of the main unit.

The two-line display is big, bright and bold. It'll display track info when there's an iPod connected, which can be controlled directly from the main remote.

Volume adjustment feels less than linear. To go from "silent" to "acceptable" takes quite a lot of winding, but "acceptable" to "far too loud" takes only a little twist.



TECH SPECS

Plays CD, MP3, WMA
Records No
Tuner DAB, DAB+, FM
RDS Yes
Power 2x30W



< Left on the shelf?

The D-M38DAB is 31cm deep, and Denon has done the decent thing by fitting proper speaker binding posts that make it deeper still. Make sure you have the shelf space.

Right down to the wire >

The USB input can receive digital data from an iPod or iPhone, but the lack of a dedicated iPod cradle means it's not the tidiest arrangement.

